



131 County Rd. 34 E. Jackson MN, 56143 1.800.446.8222
www.eagleplows.com

2892 – Yamaha Wolverine X2 & X4 Plow Mount

Use the attached page to help with part identification during installation. We recommend using Loctite (Blue) on all fasteners.

Tools:	
T30 Torx Bit	13mm Socket
9/16 Socket	14mm Socket
Ratchet	

Plow Mount Installation:

STEP 1: Remove the six black Torx bolts that attach the lower plastic front bumper and skid plate. Also, remove the three M10 flange head bolts on front of the lower front bumper.

STEP 2: Lift the new skid plate (Item 2) up to the front of the machine lining up the holes in the skid plate with the holes from the bolts that were just removed. Re-use two of the black Torx bolts through the two large slots at the back of the skid plate and thread into the same holes they were removed from. Re-use two more of the black Torx bolts through the two holes in the middle of the skid plate directly in front of the large slot for the front differential drain hole and thread into the machine. Leave these four bolts loose for now.

STEP 3: Lift the plow mount (Item 1) up to the front of the machine and line up the three holes in the front of the mount up where the three M10 bolts were removed from in Step 1. Start all three of the new M10-1.25x25mm flange head hex bolts (Item 11) into the machine. Do not fully tighten.

STEP 4: Place the strap weldment (Item 3) on the inside of the frame directly above the holes on the underside of the plow mount. Place a 3/8 lock washer (Item 5) and 3/8 flat washer (Item 7) on each of the 3/8 x 1-1/4 hex bolts (Item 6). Insert each of the bolts through the holes in the plow mount and thread into the bolt strap on the top side of the frame. Do not fully tighten.

STEP 5: Square the mount up to the front of the machine and then fully tighten all of the hardware working in a crisscross pattern to keep the mount straight.

Optional Note: If desired in the off season, the plow mount can be removed and set aside with the plow system by removing the three M10 bolts from the front of the plow mount and the two 3/8 bolts from the underside. After the plow mount is removed, reinstall the three M10 bolts to keep the metal skid plate in place.

Attaching the Push Tube to the Plow Mount:

STEP 1: Roll the UTV over the push tube assembly.

STEP 2: Lift the push tube up to the plow mount and line the holes in the ears on the push tube up with the holes in the ears on the plow mount.

STEP 3: Insert each of the 3/4 x 2” clevis pins (Item 9) though the holes and secure in place using the hair pin clips (Item 10).

STEP 4: Attach the lift system of choice and the plow is ready for use.

Removing the Push Tube from the Plow Mount:

Reverse the previous steps to remove the push tube. Once the 3/4” pins are removed, place them back into the holes on the push tube assembly with the hair pin clips to prevent them from getting lost when the plow is not in use.

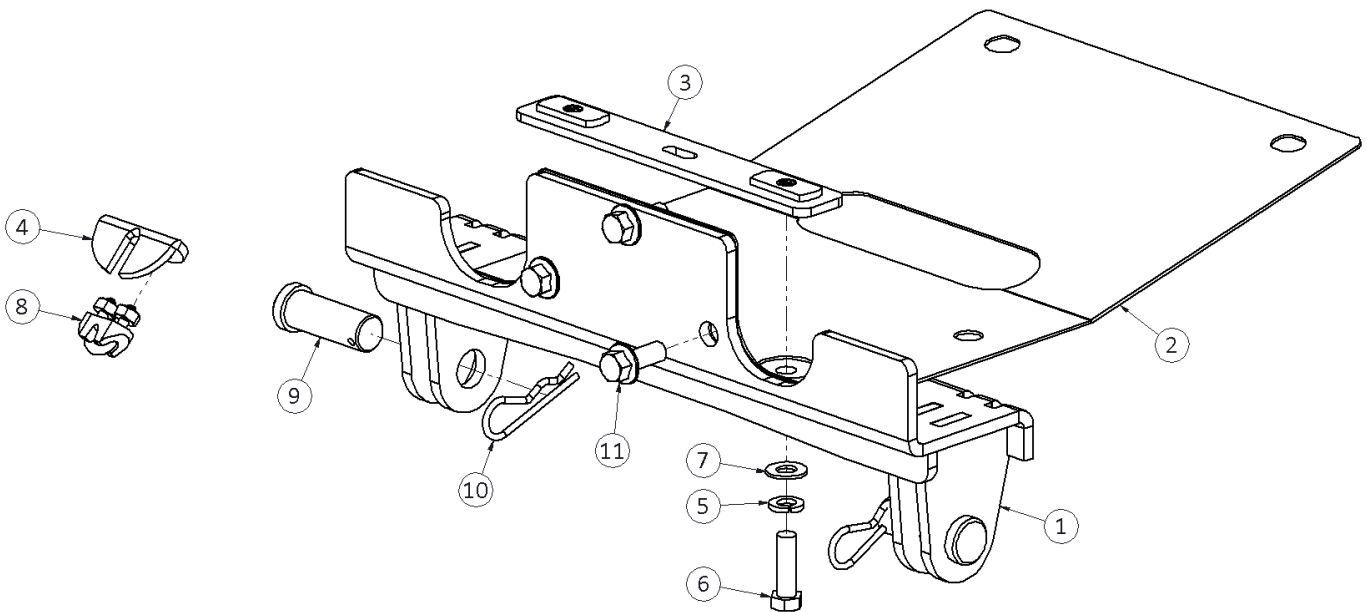
Additional Notes:

- (Optional) Mount the cable stop (Item 4) using the wire clip (Item 8) along the winch cable to prevent interference between the plow system and the machine when the plow is lifted.

It is the operator’s responsibility to periodically check all fasteners/mounting hardware to ensure none have come loose during use and to check for any signs of wear.

Do NOT plow at speeds over 5mph. Doing so will void warranty on any parts that become damaged or break.

ITEM NO.	PART NUMBER	QTY.	DESCRIPTION
1	2892-3	1	PLOW MOUNT WLDMT, WOLVERINE
2	2892-4	1	SKID PLATE, WOLVERINE
3	2892-6	1	STRAP WLDMT, 3/8-16 X 5.88"
4	3918-4	1	CABLE STOP
5	HDW112	2	WASHER, 3/8" SPLIT-LOCK, ZN
6	HDW417	2	BOLT, 3/8"-16 X 1-1/4 HEX, GR5 ZN
7	HDW1223	2	WASHER, 3/8" FLAT, SAE, ZINC
8	HDW1247	1	3/16 IN WIRE ROPE CLIP
9	HDW1260	2	CLEVIS PIN, 3/4 X 2, ST,ZN
10	HDW1261	2	HAIRPIN, Ø1/8 X 2-1/2" Z
11	HDW2953	3	BOLT, M10-1.25X25mm FLNG HEX 10.9



All hardware is a part of HDW2955 hardware kit.