



131 County Rd. 34 E. Jackson MN, 56143 1.800.446.8222  
www.eagleplows.com

## 2895 – Big Horn 400 Series Plow Mount

Use the attached page to help with part identification during installation. We recommend using Loctite (Blue) on all fasteners.

|                        |             |
|------------------------|-------------|
| Tools:                 |             |
| 1/2" Socket w/ Ratchet | 1/2" Wrench |

### **Plow Mount Installation:**

**STEP 1:** Lift the plow mount (Item 1) up to the lower front frame on the machine. Line the slots on the side of the plow mount up with the holes in the side of the frame tubes on the machine. Place a 3/8 flat washer (Item 10) on each of the 3/8 x 2-1/2" hex bolts (Item 6). Insert the bolts through the slots on the side of mount and through the corresponding holes in the frame tube. Start a 3/8 serrated flange nut (Item 8) on each bolt. Do not fully tighten.

**STEP 2:** Place the frame clamps (Item 3) over the frame tubes directly above the slots at the rear of the mount with the holes in the frame clamp toward the outside of the machine. Put a 3/8 flat washer (Item 10) on all four of the 3/8 x 1-1/2" hex bolts (Item 7). Place the bolt through the slots at the rear of the plow mount and through the corresponding hole in the frame clamp. Place another 3/8 flat washer (Item 10) on the bolt and start a 3/8 Nylock nut (Item 5) on each bolt. Do not fully tighten.

**STEP 3:** Slide the plow strap (Item 2) over the top of the frame tubes at the front of the plow mount and line the holes in the strap up with the slots at the front of the plow mount. Place a 3/8 flat washer (Item 10) on the two 3/8 x 1-1/4" hex bolts (Item 9). Insert the bolts through the slots in the plow mount and through corresponding holes in the plow strap. Place another 3/8 flat washer (Item 10) on each bolt and start a 3/8 Nylock nut (Item 5) on each bolt. Do not fully tighten.

**STEP 4:** Square the mount up to the front of the machine and then fully tighten all of the hardware working in a crisscross pattern to keep the mount straight.

### **Attaching the Push Tube to the Plow Mount:**

**STEP 1:** Roll the UTV over the push tube assembly.

**STEP 2:** Lift the push tube up to the plow mount and line the holes in the ears on the push tube up with the holes in the ears on the plow mount.

**STEP 3:** Insert each of the 3/4 x 2" clevis pins (Item 12) through the holes and secure in place using the hair pin clips (Item 13).

**STEP 4:** Attach the lift system of choice and the plow is ready for use.

### **Removing the Push Tube from the Plow Mount:**

Reverse the previous steps to remove the push tube. Once the 3/4" pins are removed, place them back into the holes on the push tube assembly with the hair pin clips to prevent them from getting lost when the plow is not in use.

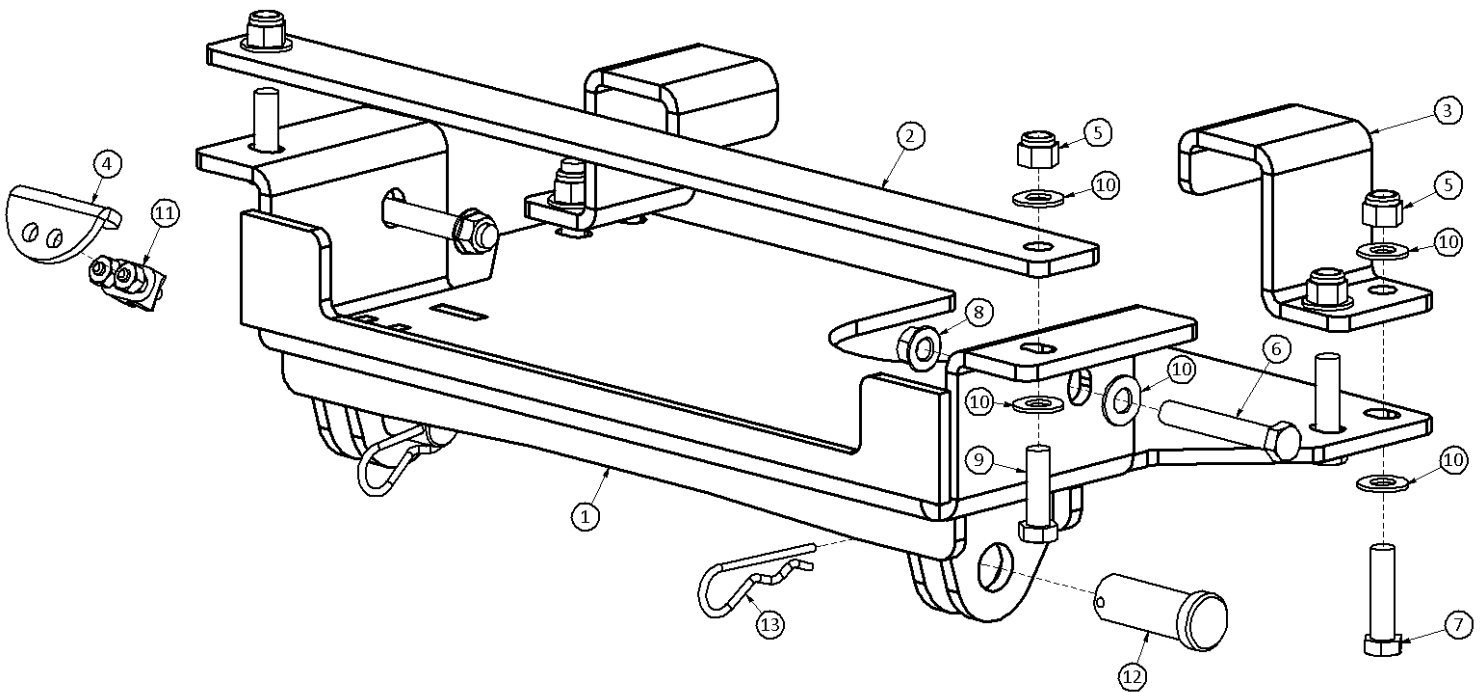
## Additional Notes:

- (Optional) Mount the cable stop (Item 4) using the wire clip (Item 11) along the winch cable to prevent interference between the plow system and the machine when the plow is lifted.

**It is the operator's responsibility to periodically check all fasteners/mounting hardware to ensure none have come loose during use and to check for any signs of wear.**

**Do NOT plow at speeds over 5mph. Doing so will void warranty on any parts that become damaged or break.**

| ITEM NO. | PART NUMBER | QTY | DESCRIPTION                           |
|----------|-------------|-----|---------------------------------------|
| 1        | 2895-2      | 1   | PLOW MOUNT WLDMT, BIGHORN             |
| 2        | 2895-3      | 1   | PLOW STRAP, BIGHORN                   |
| 3        | 2895-4      | 2   | FRAME CLAMP, BIGHORN                  |
| 4        | 3918-4      | 1   | CABLE STOP                            |
| 5        | H17043      | 6   | NUT, 3/8"-16 NYLON-INSERT, ZN         |
| 6        | HDW110      | 2   | BOLT, 3/8"-16 X 2-1/2 HEX, GR5 ZN     |
| 7        | HDW393      | 4   | BOLT, 3/8"-16 X 1-1/2 HEX, GR5 ZN     |
| 8        | HDW397      | 2   | NUT, 3/8"-16 HEX SERR FLG, GR5 ZN     |
| 9        | HDW417      | 2   | BOLT, 3/8"-16 X 1-1/4 HEX, GR5 ZN     |
| 10       | HDW1223     | 14  | WASHER, 3/8" FLAT, SAE, ZINC          |
| 11       | HDW1247     | 1   | 3/16 IN WIRE ROPE CLIP                |
| 12       | HDW1260     | 2   | CLEVIS PIN, 3/4 X 2, ST,ZN            |
| 13       | HDW1261     | 2   | HAIRPIN, $\varnothing$ 1/8 X 2-1/2" Z |



All hardware is a part of HDW2878 hardware kit.